

Standard Full Nut

Thread Type: Metric - Coarse

Thread Direction: Right Hand

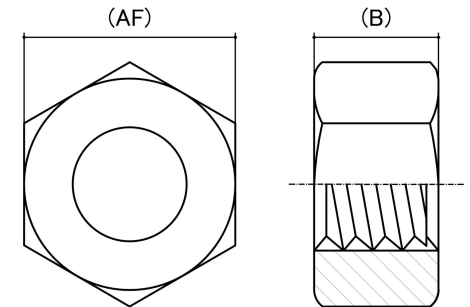
Material: Carbon Steel

Class Grade: High Tensile Class 8

Finish: Galvanised

Corrosion Protection Level: Excellent

Standard: AS 1112



*CAD drawings shown for graphic representation only.**

Size	Thread Pitch (mm)	Thread Type	Overall Nut Height (B) (mm)		Across Flats (AF) (mm)		Spanner Size (AF) (mm)	sku (qfind)
			Min	Max	Min	Max		
M6	1.00	Coarse	4.90	5.20	9.78	10.00	10	416G
M8	1.25	Coarse	6.44	6.93	12.73	13.00	13	418G
M10	1.50	Coarse	8.04	8.40	15.73	16.00	16	4110G
M12	1.75	Coarse	10.37	10.80	17.73	18.00	18	4112G
M16	2.00	Coarse	14.10	14.80	23.67	24.00	24	4116G
M20	2.50	Coarse	16.90	18.00	29.16	30.00	30	4120G
M22	2.50	Coarse	19.80	21.10	33.00	34.00	34	4122G
M24	3.00	Coarse	20.20	21.50	35.16	36.00	36	4124G
M27	3.00	Coarse	22.50	23.80	40.00	41.00	41	4127G
M30	3.50	Coarse	24.30	25.60	45.00	46.00	46	4130G
M33	3.50	Coarse	27.40	28.70	49.00	50.00	50	4133G
M36	4.00	Coarse	29.40	31.00	53.80	55.00	55	4136G
M39	4.00	Coarse	31.80	34.30	58.80	60.00	60	4139G
M42	4.50	Coarse	32.40	34.90	63.10	65.00	65	4142G

Size	Thread Pitch (mm)	Thread Type	Overall Nut Height (B) (mm)		Across Flats (AF) (mm)		Spanner Size (AF) (mm)	sku (qfind)
			Min	Max	Min	Max		
M48	5.00	Coarse	36.40	38.90	73.80	75.00	75	4148G
M56	5.50	Coarse	43.40	45.90	82.80	85.00	85	4156G
M64	6.00	Coarse	49.40	52.40	92.80	95.00	95	4164G
M72	6.00	Coarse	57.00	59.00	102.80	105.00	105	4172G

Disclaimer:

Dimensional data and technical information was obtained from publically available sources and not acquired through standard agencies. It has been completed and compiled for reference purposes only; where discrepancies are found they are subject to change without notice. Bolt & Nut Australia makes no warranties or representations regarding the accuracy and validity of the compiled information and data. Contact the relevant standard authorities for accurate and detailed information.

* CAD drawings may not reflect diameter, thread length or overall length.

© Bolt & Nut Australia Pty Ltd. All rights reserved.

Version: 18 Mar 2024